



AD-45x2(R)(i) Parts Manual

American Dryer Corporation

88 Currant Road, Fall River MA 02720-4781 USA
Telephone: +1 (269) 923-3000 / Fax: +1 (508) 678-9447
e-mail: mdl-service@whirlpool.com / www.adclaundry.com

Retain This Manual In A Safe Place For Future Reference

This product embodies advanced concepts in engineering, design, and safety. If this product is properly maintained, it will provide many years of safe, efficient, and trouble free operation.

ONLY properly licensed technicians should service this equipment.

OBSERVE ALL SAFETY PRECAUTIONS displayed on the equipment or specified in the installation manual included with the dryer.

The following “FOR YOUR SAFETY CAUTION” must be posted near the dryer in a prominent location.

FOR YOUR SAFETY

Do not store or use gasoline or other flammable vapors and liquids in the vicinity of this or any other appliance.

POUR VOTRE SÉCURITÉ

Ne pas entreposer ni utiliser d'essence ni d'autres vapeurs ou liquides inflammables à proximité de cet appareil ou de tout autre appareil.

We have tried to make this manual as complete as possible and hope you will find it useful. The manufacturer reserves the right to make changes from time to time, without notice or obligation, in prices, specifications, colors, and material, and to change or discontinue models.

Important

For your convenience, log the following information:

DATE OF PURCHASE _____ MODEL NO. _____

RESELLER'S NAME _____

Serial Number(s) _____

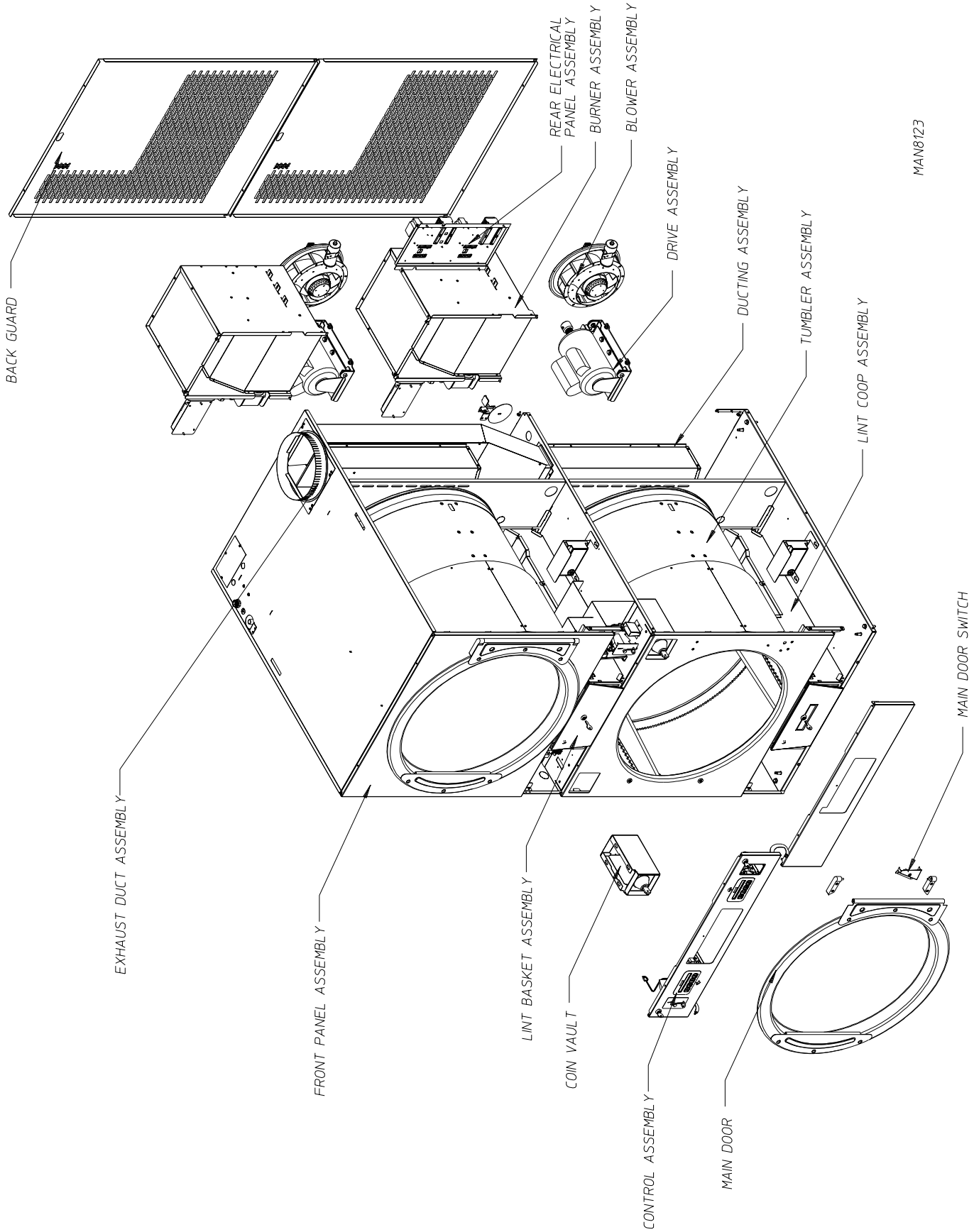
Replacement parts can be obtained from your reseller or the ADC factory. When ordering replacement parts from the factory, you can FAX your order to ADC at +1 (508) 678-9447 or telephone your order directly to the ADC Parts Department at +1 (269) 923-3000. Please specify the dryer model number and serial number in addition to the description and part number, so that your order is processed accurately and promptly.

The illustrations on the following pages may not depict your particular dryer exactly. The illustrations are a composite of the various dryer models. Be sure to check the descriptions of the parts thoroughly before ordering.

“IMPORTANT NOTE TO PURCHASER”

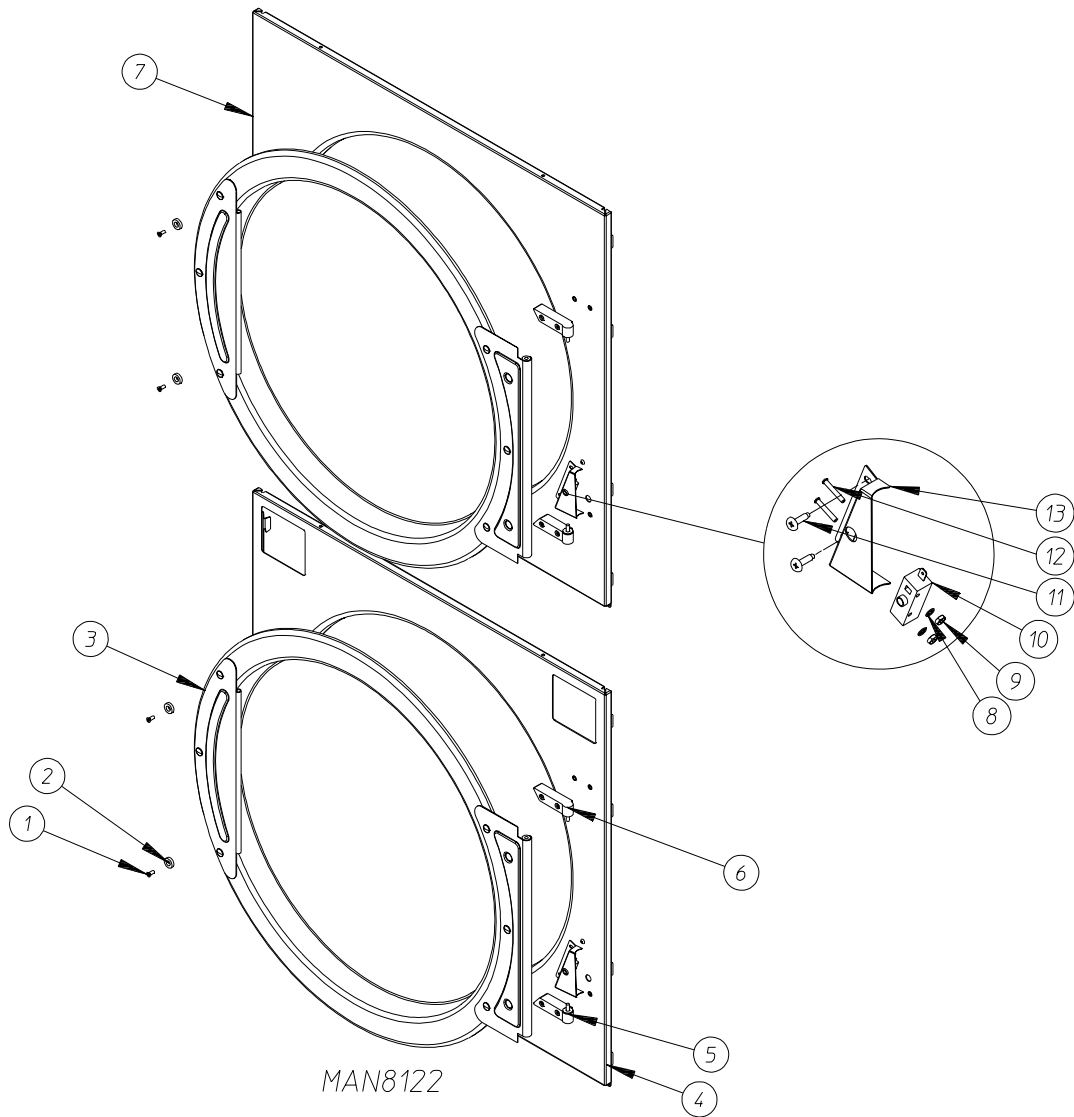
Information must be obtained from your local gas supplier on the instructions to be followed if the user smells gas. These instructions must be posted in a prominent location near the dryer.

NOTES _____



MAN8123

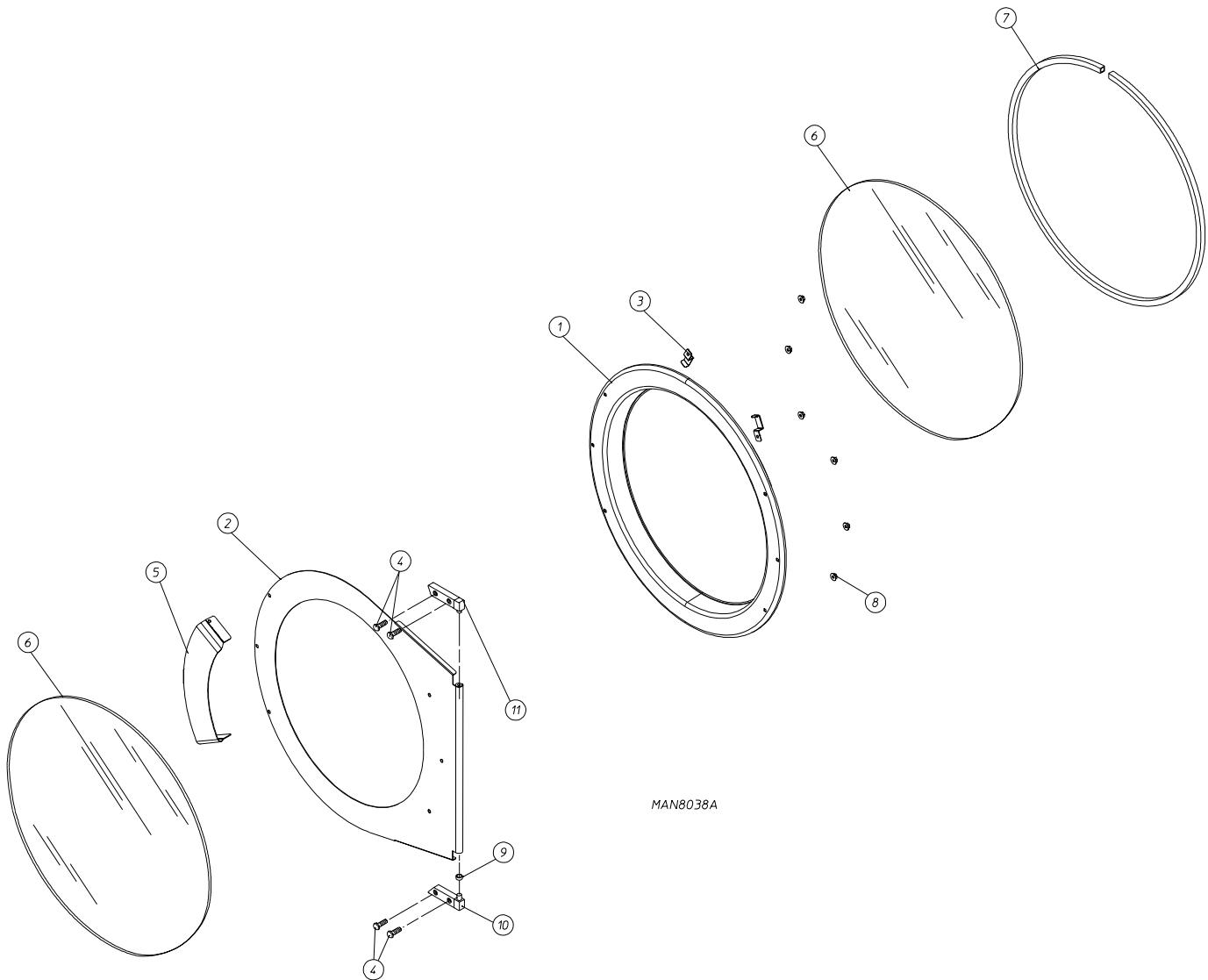
R Series Front Panel and Main Doors



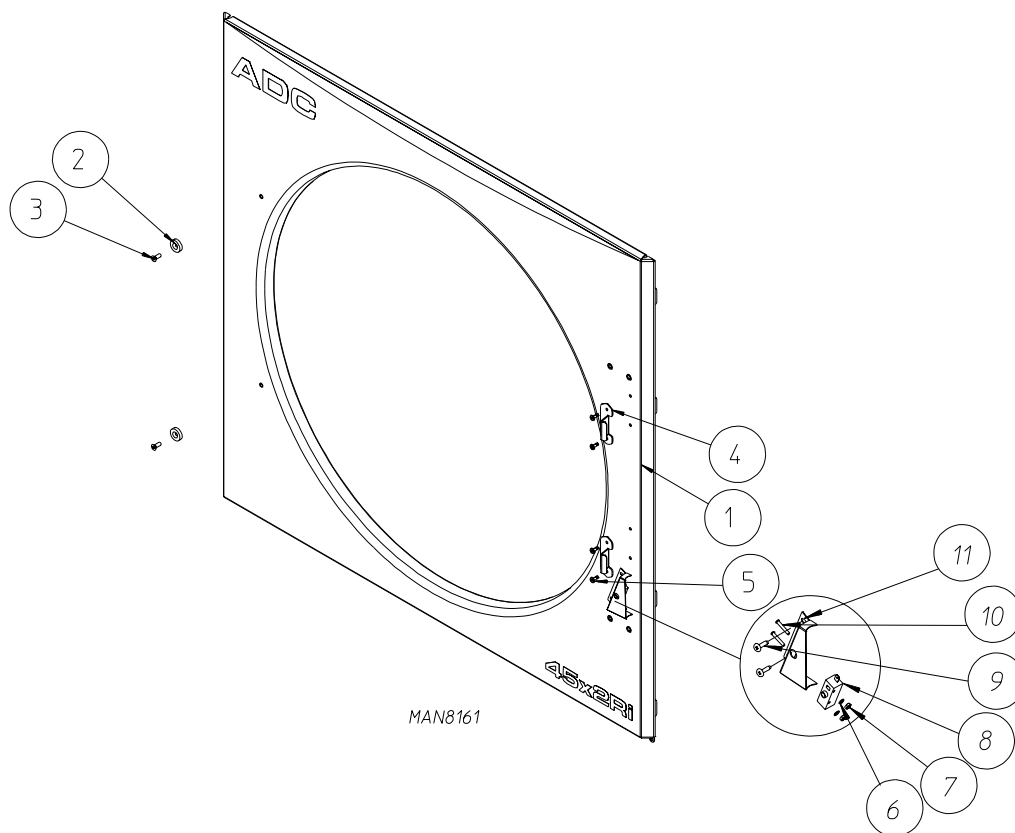
Illus. No.	Part No.	Qty.	Description
1	152223	2	Screw for Door Magnet
2	102004	2	Door Magnet
3	845249	2	Main Door Assembly
4	845212*	1	Bottom Front Panel (coin)
	845210*	1	Bottom Front Panel (non-coin)
	845271	1	Stainless Steel Bottom Front Panel (coin)
	845269	1	Stainless Steel Bottom Front Panel (non-coin)
5	170331	1	Bottom Hinge Block
6	170329	1	Top Hinge Block
7	845210*	1	Top Front Panel
	845269	1	Top Front Panel Stainless Steel
8	153010	2	Internal Star Washer
9	152013	2	#6-32 Hex Nut
10	137005	1	Door Switch
11	150201	2	#10-32 x 1/4" Phillips Screw
12	150006	2	#6-32 x 7/8" Phillips Pan Head Screw
13	314744*	1	Door Switch Housing
	314776	1	Door Switch Housing Stainless Steel

* Specify color when ordering.

"I" Series Main Door Assembly

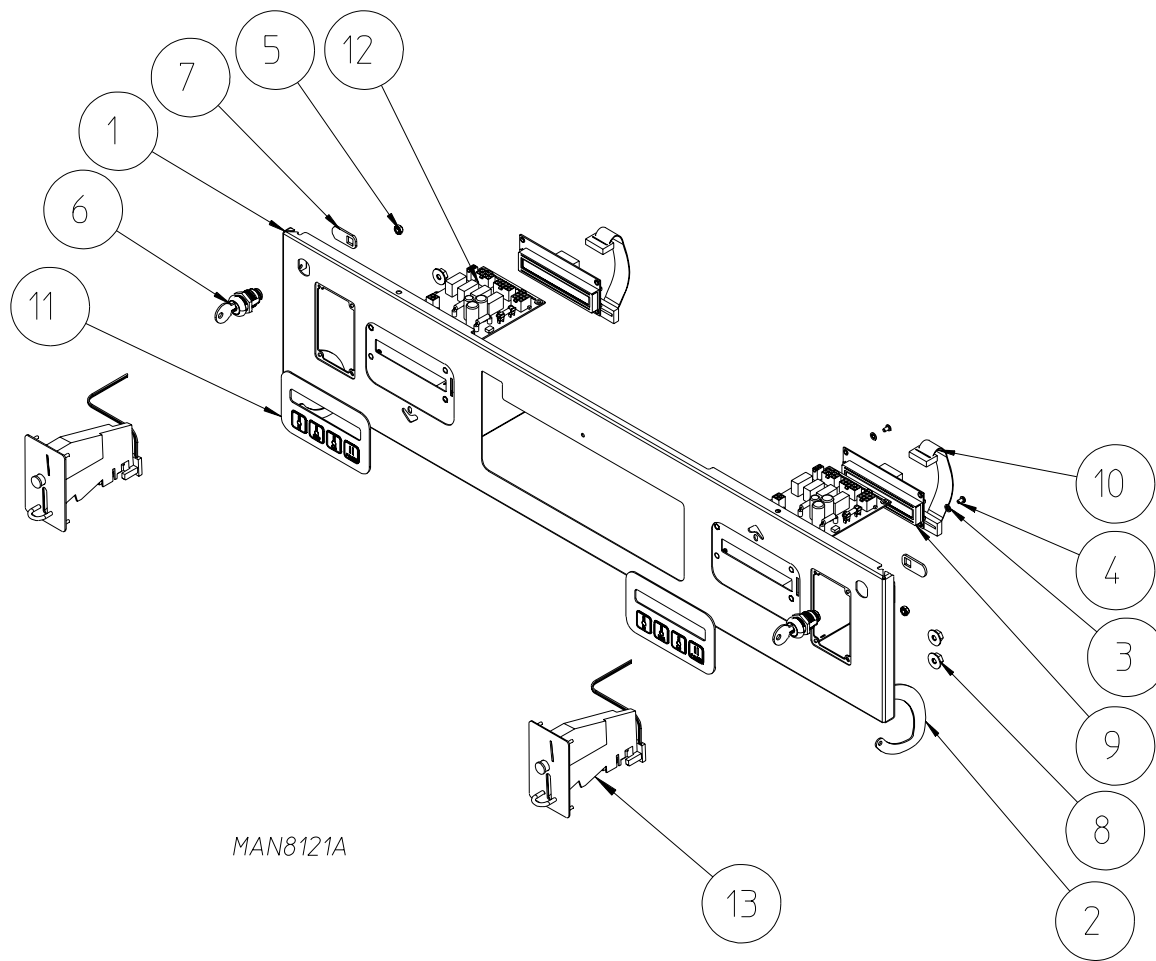


<u>Illus. No.</u>	<u>Part No.</u>	<u>Qty.</u>	<u>Description</u>
1	845254	1	Main Door Assembly Complete (includes illus. nos. 1 through 8)
	805033	1	Main Door Ring Assembly (includes illus. nos. 1, 6, and 7)
2	845255	1	Door Outer Skin Assembly (includes illus. nos. 2 and 6)
3	319298	2	Magnet Bracket
4	150445	4	1/4-20 x 3/4" Black Cap Head Setscrew
5	835634	1	Door Handle Assembly
6	185498	2	Main Door Glass
	401038	1	Black Glass Adhesive (10.3 oz. cartridge)
7	882411	1	Door Gasket
	401038	1	Black Gasket Adhesive (10.3 oz. cartridge)
8	152014	8	1/4-20 Free Spin Wash Nut
9	153031	1	1/4" Nylon Washer
10	881151	1	Black Bottom Hinge Block Assembly (includes illus. nos. 4, 9, and 10)
11	881152	1	Black Top Hinge Block Assembly (includes illus. nos. 4 and 11)



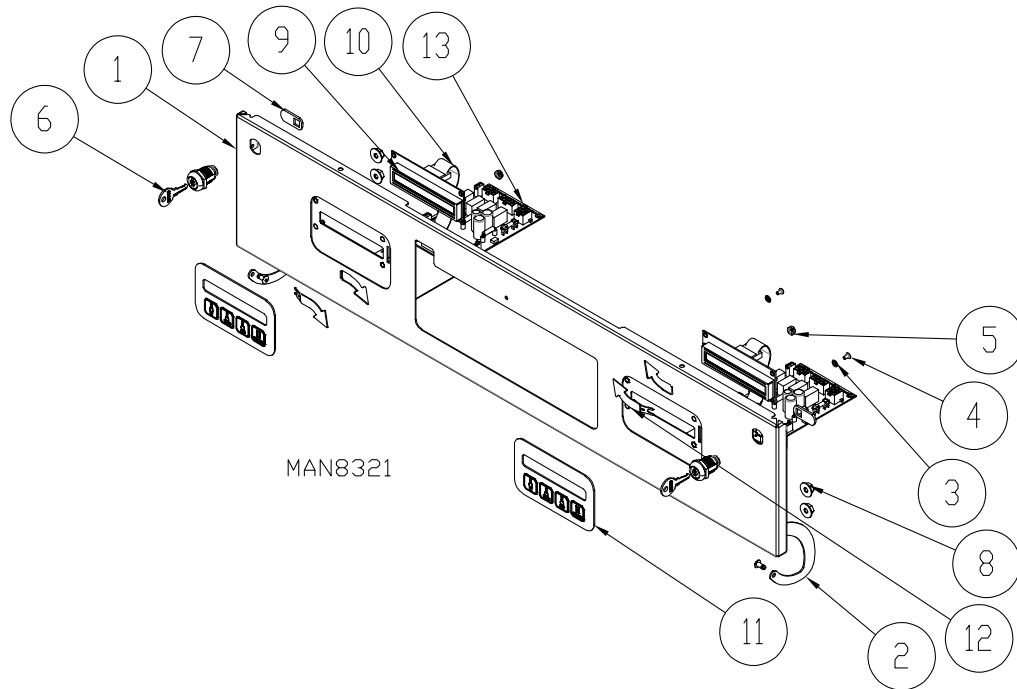
<u>Illus. No.</u>	<u>Part No.</u>	<u>Qty.</u>	<u>Description</u>
1	845271	1	Top Front Panel Assembly (for models mfd. as of June 5, 2015)
	845256	1	Top Front Panel Assembly with Graphics (includes illus. nos. 1 through 5) (for models mfd. prior to June 5, 2015)
	845269	1	Bottom Non-Coin Front Panel Assembly (includes illus. nos. 1 through 5) (for models mfd. as of June 5, 2015)
	845297	1	Bottom Non-Coin Front Panel Assembly (includes illus. nos. 1 through 5) (for models mfd. prior to June 5, 2015)
	845271	1	Bottom Coin Front Panel Assembly (includes illus. nos. 1 through 5) (for models mfd. as of June 5, 2015)
	845260	1	Bottom Coin Front Panel Assembly (includes illus. nos. 1 through 5) (for models mfd. prior to June 5, 2015)
2	102004	2	Compact Door Magnet
3	152223	2	#10-32 x 1/2" Machine Screw
4	335508	2	Door Stop
5	154205	4	5/32" x 1/4" Stainless Steel Rivet
6	153010	2	Star Washer
7	152013	2	6/32" Hex Nut
8	137005	1	Door Switch
9	150201	2	10/32" x 1/4" Screw
10	150006	2	6/32" x 7/8" Screw
11	801912	1	Door Switch Assembly (includes illus. nos. 6 through 8, 10, and 11)
	314776	1	Door Switch Bracket Only

Coin Control Door Assembly



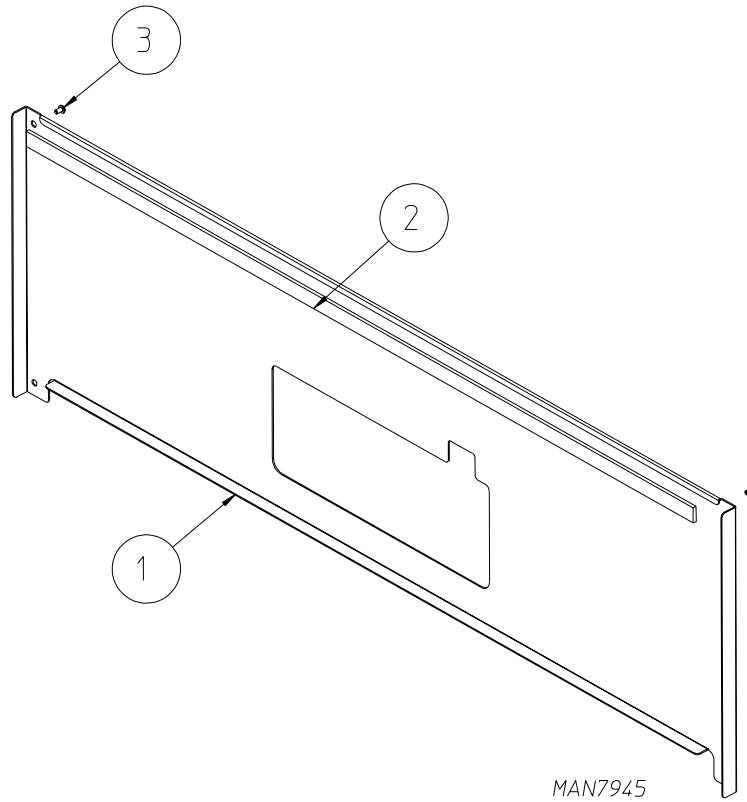
MAN8121A

<u>Illus. No.</u>	<u>Part No.</u>	<u>Qty.</u>	<u>Description</u>
1	845246	1	"R" Phase 7 Coin Control Door
	845247	1	"R" Phase 7 Coin Control Panel Complete Less Acceptors
	845285	1	"I" Phase 7 Coin Control Door (for models mfd. as of June 5, 2015)
	845286	1	"I" Phase 7 Coin Control Door Complete Less Acceptors (for models mfd. as of June 5, 2015)
	845292	1	"I" Phase 7 Coin Control Door (for models mfd. prior to June 5, 2015)
	845258	1	"I" Phase 7 Coin Control Door Complete Less Acceptors (for models mfd. prior to June 5, 2015)
2	324537	1	Control Panel Hinge (includes left and right)
3	153010	8	Internal Star Washer
4	150005	8	#6-32 x 1/4" Phillips Round Head Screw
5	153073	2	#8-32 KEPS Nut
6	160015	2	MK-100 Lock with Key
7	160032	2	1" Straight Cam
8	152014	4	1/4-20 Serrated Flange Nut
9	137270	2	Phase 7 Display Board
10	137250	2	Phase 7 Ribbon Cable
11	112575	2	Phase 7 Coin Keypad
12	887011	2	Phase 7 Coin Computer Board
	136016	1	5-amp Fuse for Control Board ... Not Illustrated
13	852317	1	25¢ U.S. Coin Acceptor Assembly
	836108	1	Japanese / Taiwanese Programmable Acceptor
	830159	1	Euro / GBP Programmable Acceptor



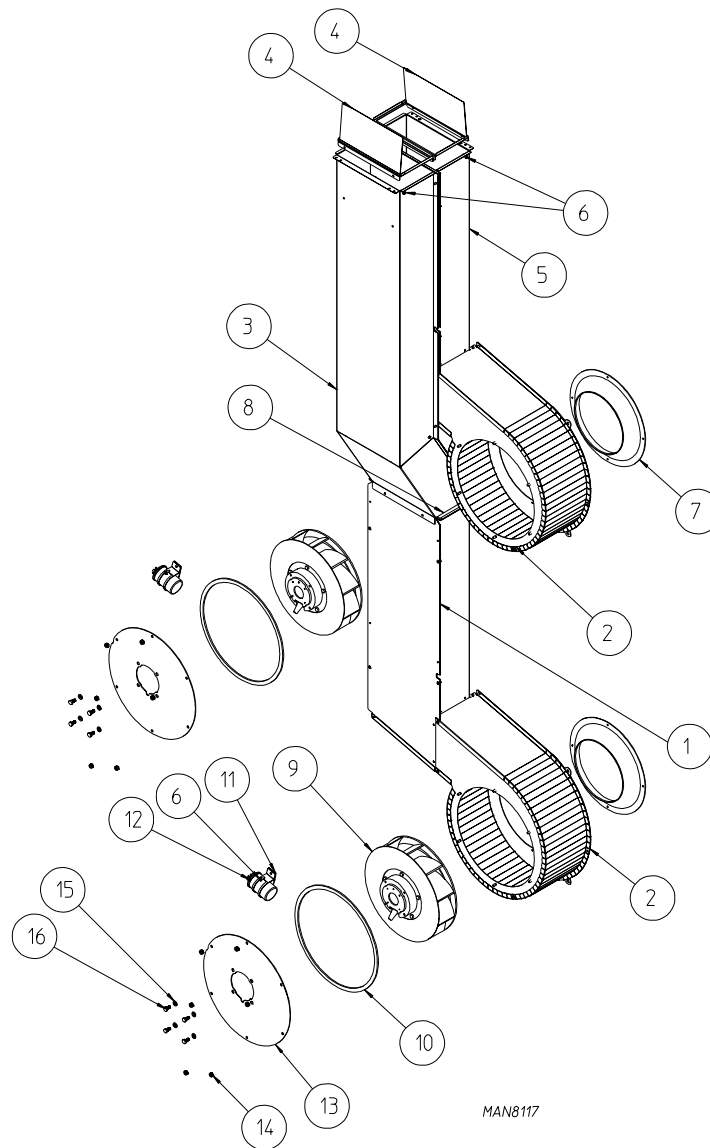
<u>Illus. No.</u>	<u>Part No.</u>	<u>Qty.</u>	<u>Description</u>
1	845264	1	Phase 7 Non-Coin Control Door
2	324537	1	Control Door Hinge
3	153010	8	#6 Internal Star Washer
4	150005	8	#6-32 x 1/4" Phillips Round Head Machine Screw
5	153073	4	#8-32 KEPS Nut
6	160015	2	MK-100 Lock with Hardware
7	160032	2	Straight 1" Cam
8	152014	4	1/4-20 Serrated Hex Flange Nut
9	137270	2	Phase 7 Display Board
10	137250	2	Phase 7 Ribbon Cable
11	112575	2	Phase 7 Keypad
12	303440	2	Curved Controller Arrow
13	887011	2	Phase 7 Computer Board

Bottom Toe Panel



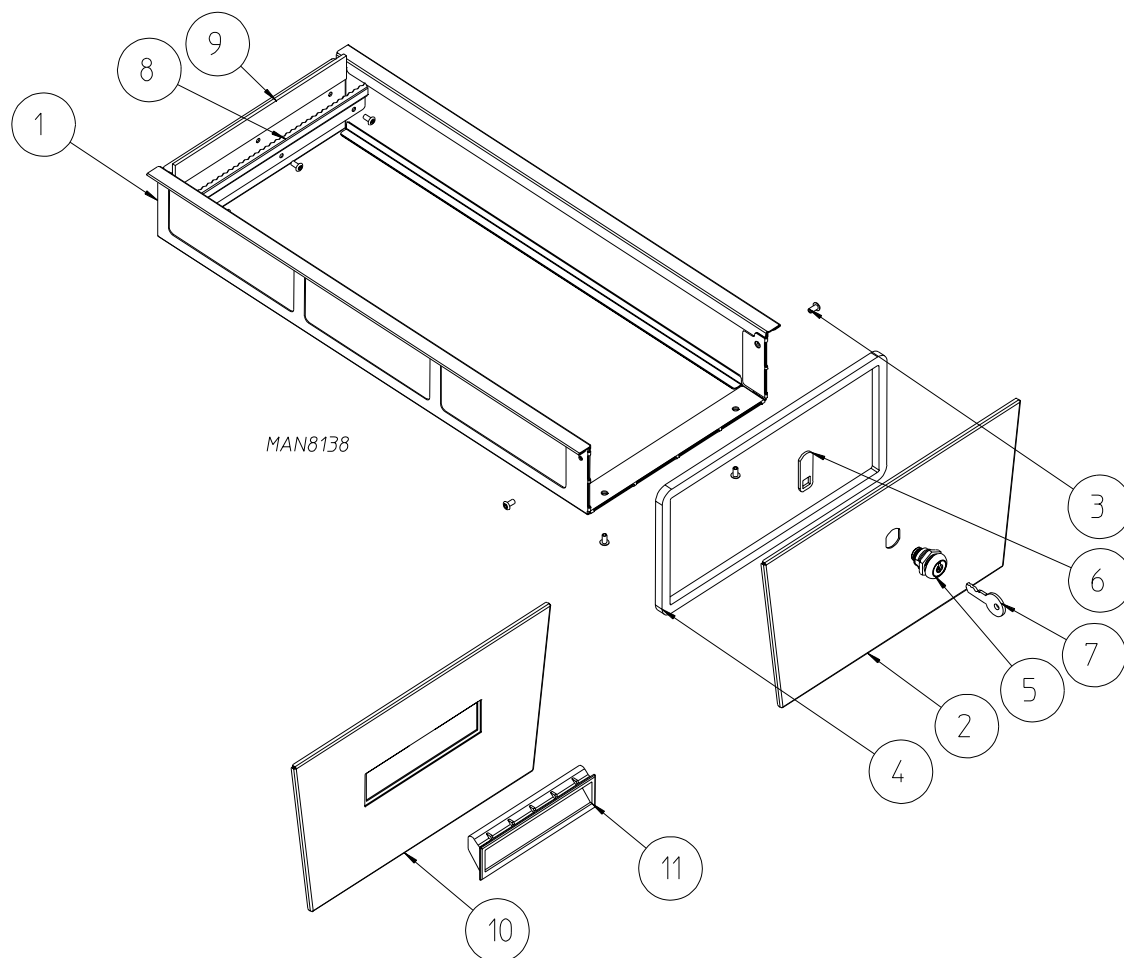
Illus. No.	Part No.	Qty.	Description
1	324533*	1	"R" Lower Toe Panel
	324596	1	"I" Lower Toe Panel (for models mfd. as of June 5, 2015)
	324567	1	"I" Lower Toe Panel (for models mfd. prior to June 5, 2015)
2	117605	3	Noise Suppression Tape
3	150320	4	#10-16 x 3/4" Black TORX® Screw

* Specify color.



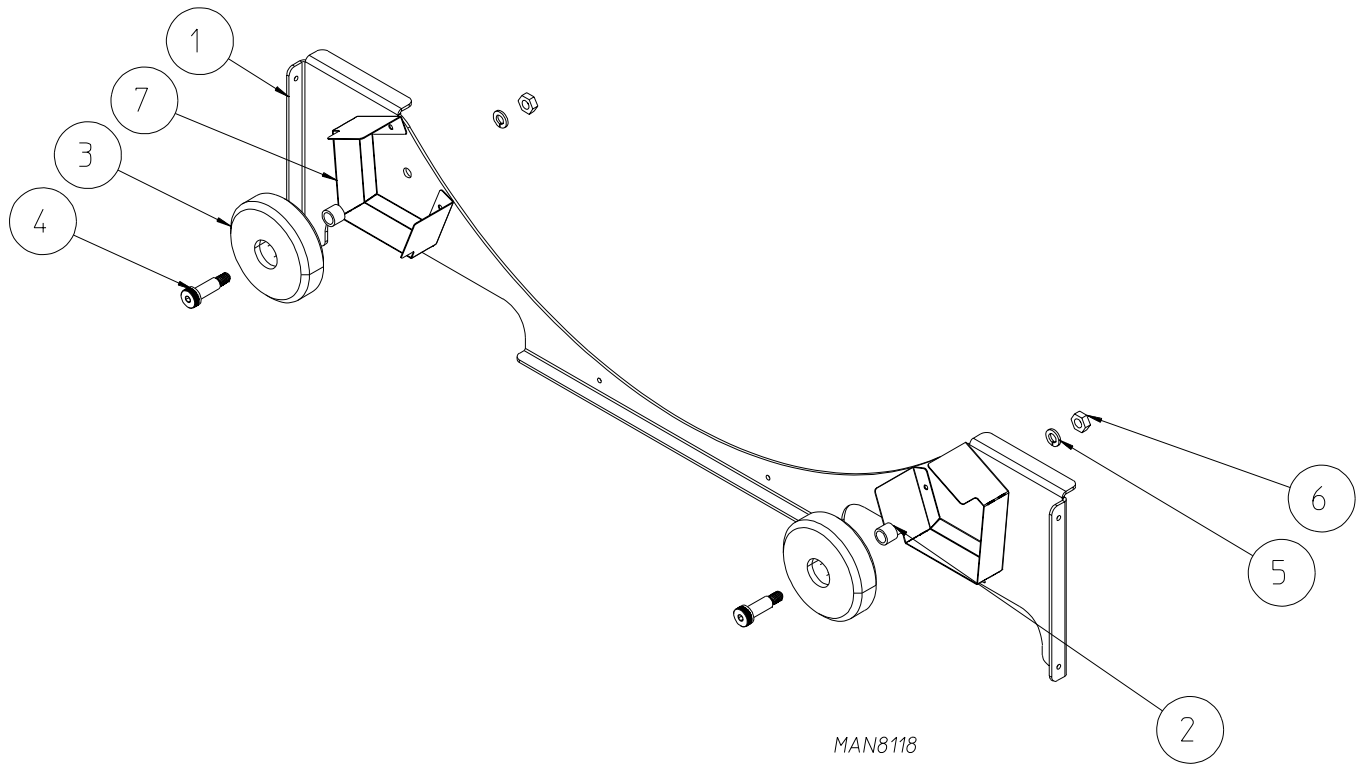
Illus. No.	Part No.	Qty.	Description
1	845237	1	Lower Vertical Ducting
2	845236	2	Blower Housing
3	845238	1	Internal Ducting Offset
4	845244	2	Back Draft Damper
5	845245	1	Upper Vertical Ducting
6	150331	4	#8-18 x 1/2" Pan Head TORX® Screw
7	100647	2	Inlet Ring
8	117617	2	Sponge Tape
9	887191	2	Motorized Impellor (for 120 volt models)
	887031	2	Motorized Impellor (for 200-240 volt models)
10	117604	4	Neo Sponge Tape (blower)
11	315497	2	Capacitor Bracket
12	884451	2	20 MFD Capacitor (for 120 volt models)
	884452	2	5 MFD Capacitor (for 200-240 volt models)
13	303335	2	Motorized Impellor Mount
14	153076	6	#10-32 Keps Nut
15	153007	4	1/4" Split Lock Washer
16	150691	4	6mm x 12mm Hex Head Bolt

Lint Drawer Assembly



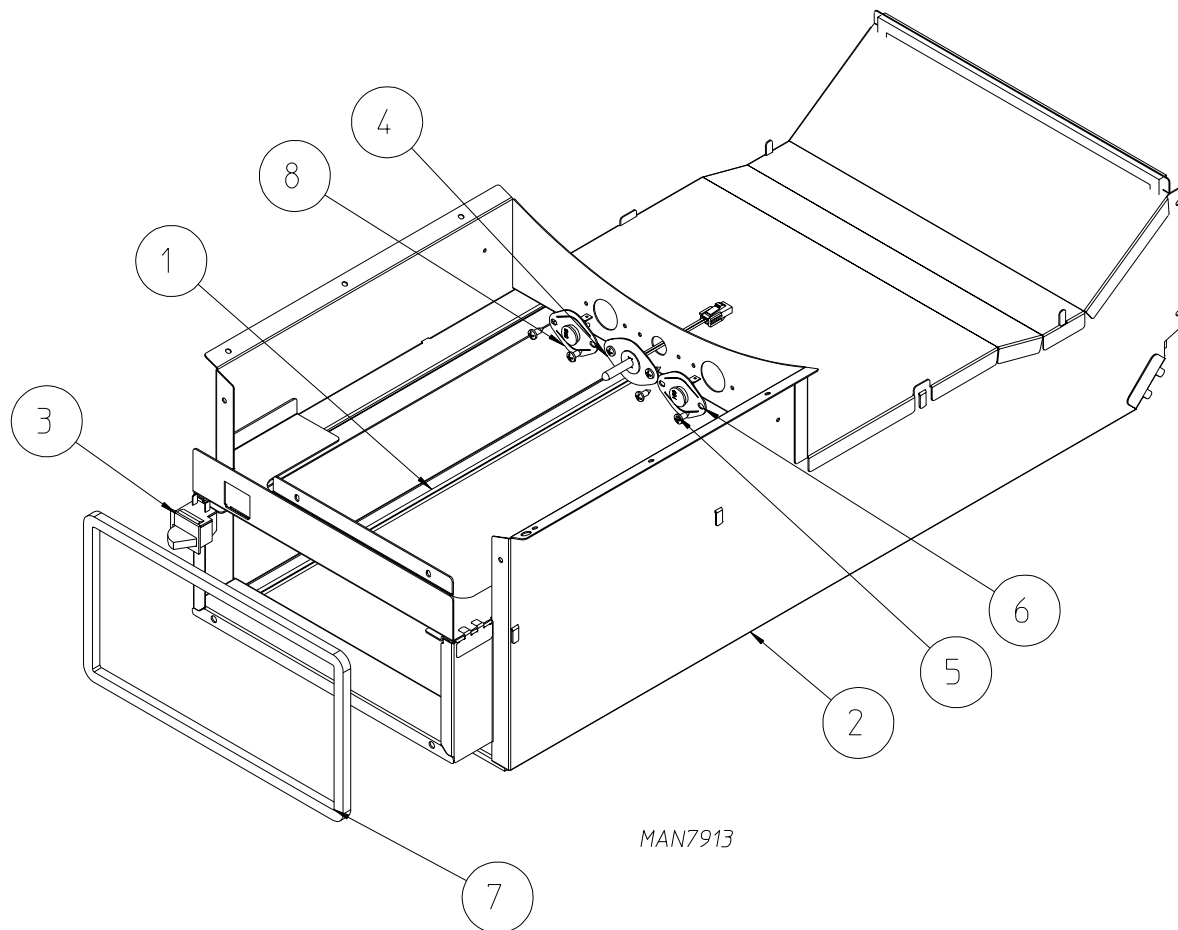
Illus. No.	Part No.	Qty.	Description
1	845223	1	Lint Drawer Complete (non-locking)
	845227	1	Locking Lint Drawer Complete
	845225	1	Lint Drawer Body (no face)
2	845228	1	Lint Drawer Handle (locking)
3	154211	7	5/32" Buttonhead Rivet
4	117617	3	Sponge Tape
5	883798	1	AD-100 Lock Assembly with Cam and Key
6	160016	1	1-1/4" Straight Cam
7	160103	1	AD100 Key
8	324528	1	Lint Drawer Felt Retainer
9	115932	1	Lint Drawer Felt
10	845226	1	Non-Locking Lint Drawer Handle
11	170224	1	Plastic Grip for Handle

Front Wheel Bracket Assembly



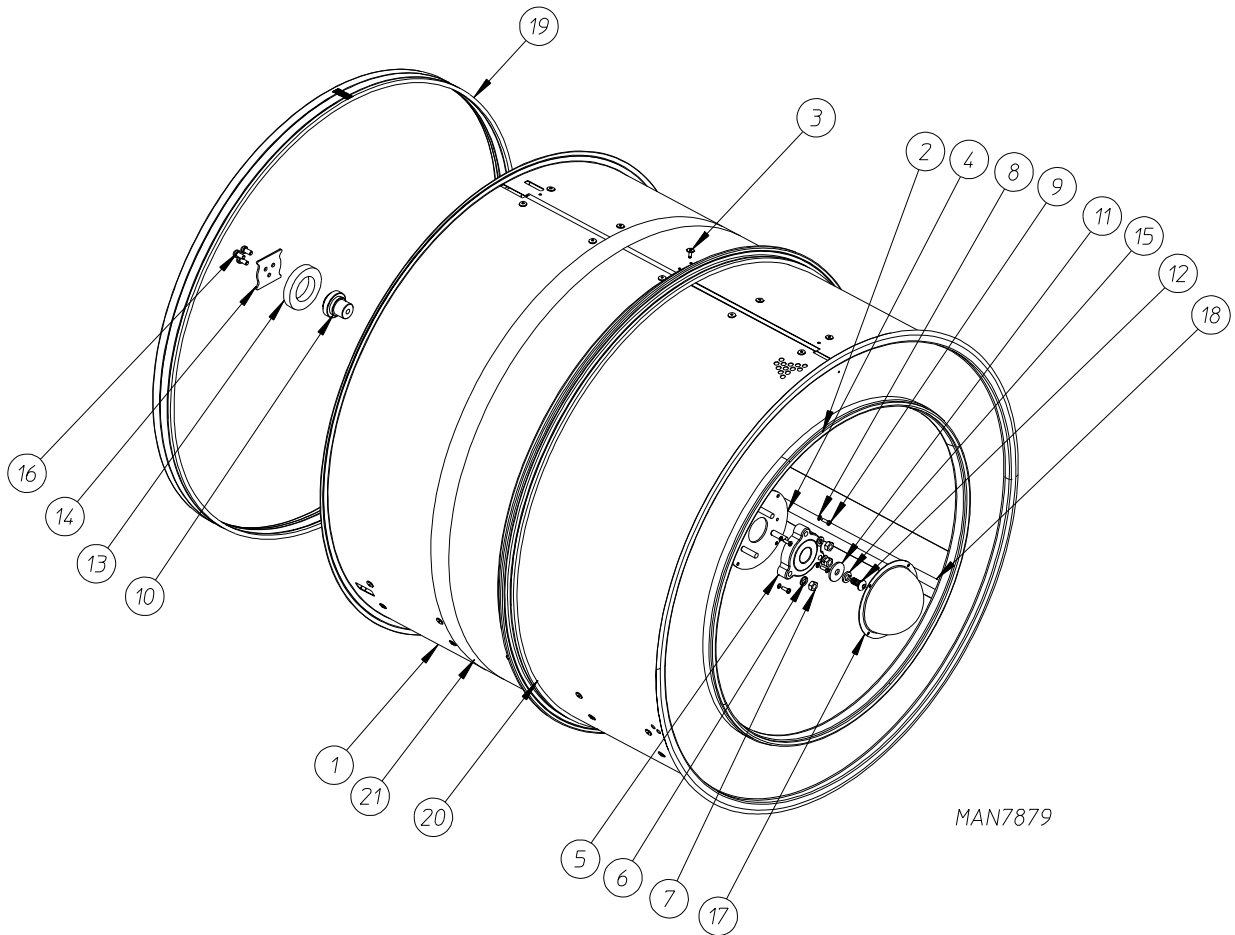
<u>Illus. No.</u>	<u>Part No.</u>	<u>Qty.</u>	<u>Description</u>
1	845216	1	Front Wheel Bracket Assembly (includes illus. nos. 1 through 7)
	324511	1	Front Wheel Support Bracket Only
2	154284	2	Tumbler Wheel Spacer
3	180060	2	Tumbler Wheel
4	154264	2	10M8 x 25 mm Shoulder Screw
5	153002	2	5/16" Black Washer
6	154013	2	M8 Hex Nut
7	324534	1	Wheel Guard

Lint Coop Assembly



MAN7913

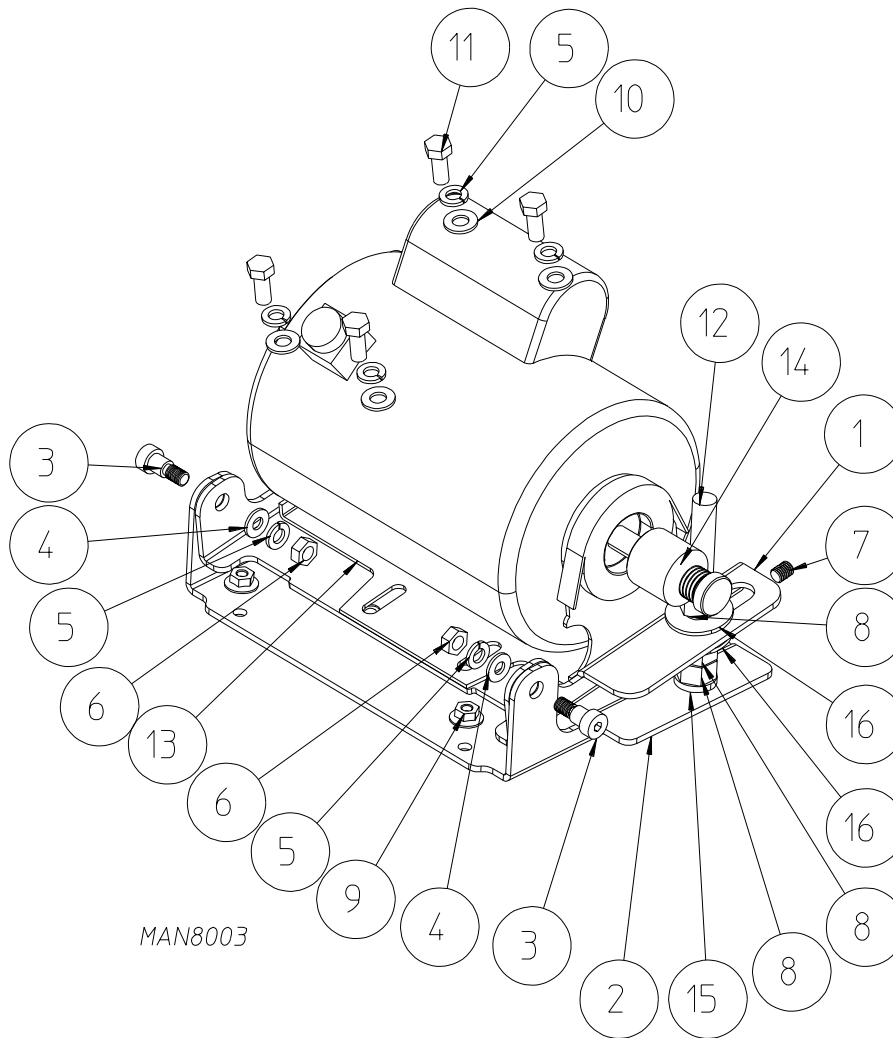
<u>Illus. No.</u>	<u>Part No.</u>	<u>Qty.</u>	<u>Description</u>
1	117617	12	3/8" x 5/16" Foam Gasket (sold by the foot)
2	845217	1	Lint Coop Assembly Complete (includes illus. nos. 1 through 8)
	845218	1	Lint Coop Only
3	122002	1	Lint Draw Switch
4	845219	1	Exhaust Sensor Probe Assembly
5	150301	4	#8-18 x 7/16" Phillips Pan Head Screw
6	130100	1	150° Automatic Reset Thermostat (Phase 5 computer only)
7	117617	4	3/8" x 5/16" Foam Gasket
8	130098	1	190° Manual Reset Thermostat



MAN7879

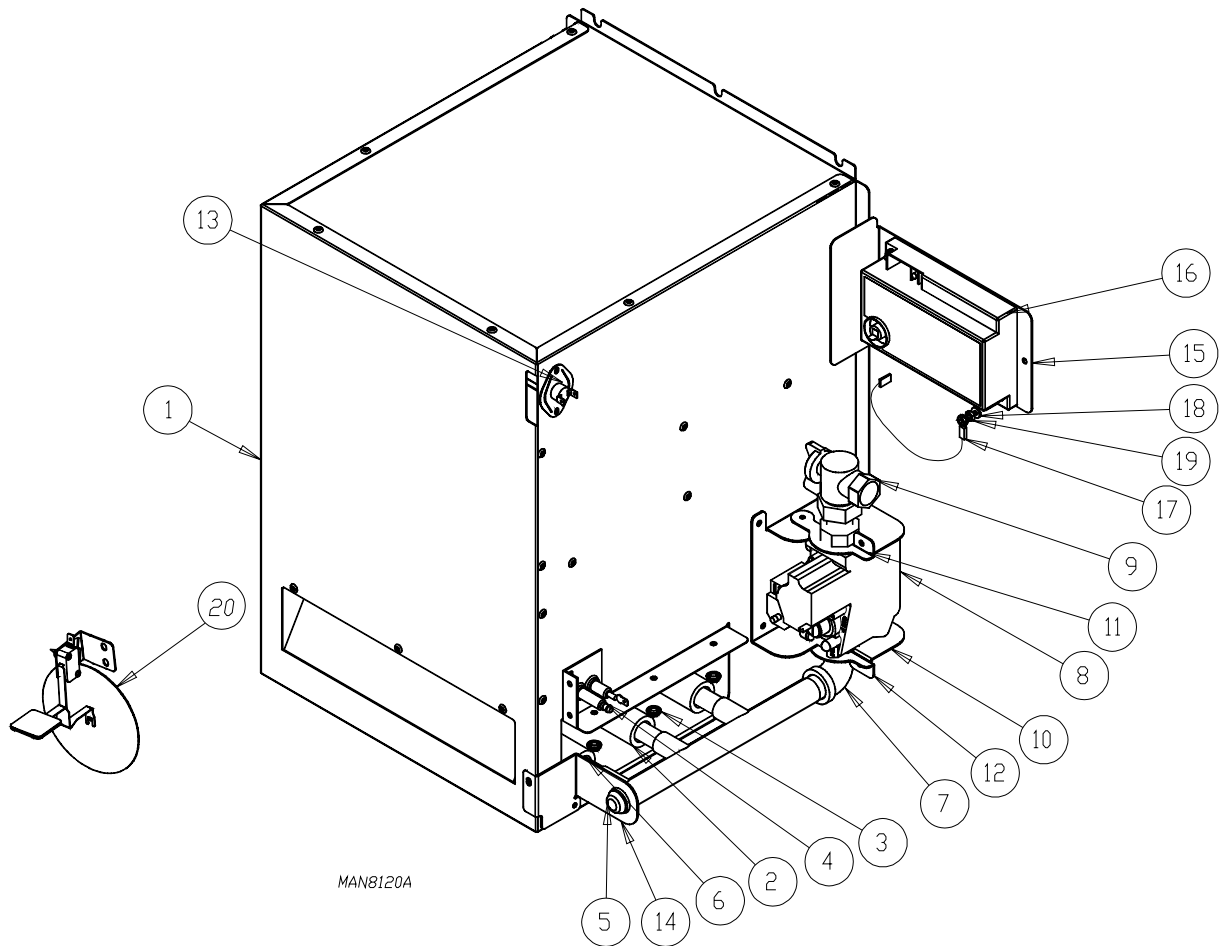
Illus. No.	Part No.	Qty.	Description
1	845208	1	Galvanized 3 Rib Tumbler Assembly (includes illus. nos. 1 through 19)
	845207	1	Galvanized 3 Rib Tumbler Only
	845251	1	Stainless Steel Tumbler Assembly (includes illus. nos. 1 through 19)
2	115921	1	Tumbler Front Felt
3	154210	58	5/32" Pop Rivet
4	846011	1	Tumbler Blearing Plate Assembly
5	100296	1	3 Bolt Self Aligning Flange Bearing
6	153002	3	5/16" Lock Washer
7	152004	3	5/16-18 Hex Nut
8	153012	4	#8 Internal Star Washer
9	150108	4	#8-32 x 1/2" Phillips Machine Screw
10	346119	1	Tumbler Shaft
11	346029	1	Stainless Steel Washer
12	184241	1	3/8-16 x 3/4" Button Head Socket Screw with Nylon Patch
13	115919	1	Tumbler Bearing Felt Ring
14	346069	1	Tumbler Shaft Backup Plate
15	153005	1	3/8" Lock Washer
16	150636	3	1/4-20 x 1/2" Button Head Socket Screw with Nylon Patch
17	185597	1	Bearing Cover
18	324539	4	Tumbler Ribs
19	115920	1	Rear Tumbler Felt
20	115931	1	Separator Felt
21	102418	1	Tumbler Drive Belt

Drive Motor Mount Assembly



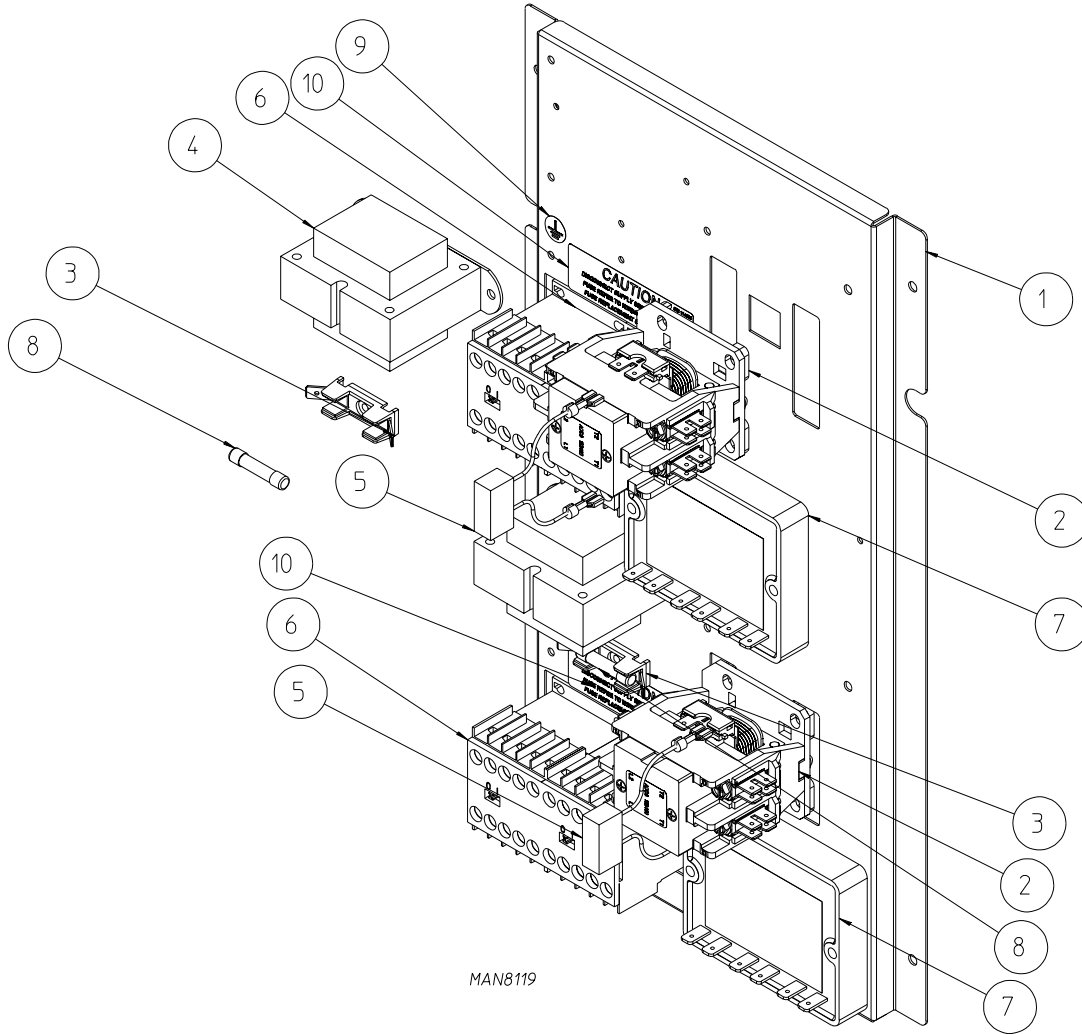
MAN8003

<u>Illus. No.</u>	<u>Part No.</u>	<u>Qty.</u>	<u>Description</u>
1	846017	1	Drive Motor Mount Assembly Complete (for 60 Hz models) (includes illus. nos. 1 through 16)
	846140	1	Drive Motor Mount Assembly Complete (for 50 Hz Models) (includes illus. nos. 1 through 16)
2	846016	1	Drive Motor Mount Base Plate
3	154266	2	3/8" x 3/8" Shoulder Bolt
4	153018	2	1/4" Flat Washer
5	153002	6	5/16" Lock Washer
6	152004	2	5/16-18 Hex Nut
7	154321	1	5/16-24 x 3/8" Allen Setscrew
8	152011	2	1/2" x 1-3/8" Hex Nut
9	152014	1	1/4-20 Washer Nut
10	153001	4	5/16" Flat Washer
11	150501	4	5/16-18 x 3/4" Machine Bolt
12	150609	1	1/2-13 x 4.5 Tap Bolt
13	884393	1	Drive Motor with Sheave (for 60 Hz models)
	884610	1	Drive Motor with Sheave (for 50 Hz models)
14	315696	1	Motor Sheave (for 60 Hz models)
	346096	1	Motor Sheave (for 50 Hz models)
15	153026	1	1/2" Lock Washer
16	153011	2	1-3/8" OD Flat Washer



<u>Illus. No.</u>	<u>Part No.</u>	<u>Qty.</u>	<u>Description</u>
1	845221	1	Gas Burner Assembly
2	141104	3	Burner Tube
3	151001	3	#8-32 Pal Nut
4	884265	1	Igniter Assembly with Flame Probe
5	141232	1	Burner Manifold 3-Port
6	140816	3	Natural Gas Burner Orifice #36
	140800	3	Propane Gas Burner Orifice #52
7	142506	1	1/2" Gas Elbow
8	128979	1	Gas Valve for Natural Gas
	887273	1	Gas Valve for Propane Gas
	884411	1	Propane Conversion Kit for AD-45x2(R)
9	141320	1	1/2" Union Shut Off
10	303340	1	Gas Valve Bracket
11	303341	1	Gas Valve Bracket Inlet Lock
12	303342	1	Gas Valve Bracket Outlet Lock
13	130403	1	Burner High-Limit Auto 330° F
14	324524	1	Gas Manifold Bracket
15	845274	1	Direct Spark Ignition Module Bracket with Heat Shield
16	887133	1	Direct Spark Ignition Module
	884279	1	High Voltage Wire
17	822513	1	Ground Wire for Direct Spark Ignition Module 822513
18	153017	1	#6 Washer
19	152013	1	#6 Hex Nut
20	828238	1	Sail Switch Assembly

Reversing Rear Electrical Panel



Illus. No.	Part No.	Qty.	Description
1	845224	1	Electrical Panel Complete (for 120 volt models) (includes illus. nos. 1 through 10)
	845280	1	Electrical Panel Complete (for 200-240 volt models) (includes illus. nos. 1 through 10)
2	132498	2	Blower Motor Contactor
3	136008	2	Fuse Holder
4	141403	2	Transformer
5	824828	2	Arc Suppressor Assembly
6	132497	2	Reversing Contactor
7	132198	2	Reversing Timer
8	136049	2	3/4-Amp Fuse
9	112075	2	Ground Label
10	114506	2	Disconnect Supply Fuse Label

<u>Part No.</u>	<u>Description</u>
103500	Leveling Legs, Adjustable
125918	\$150 Coin Box Keyed Alike
324542	Back Guard
845232	Coin Chute Assembly
846032	Coin Vault

